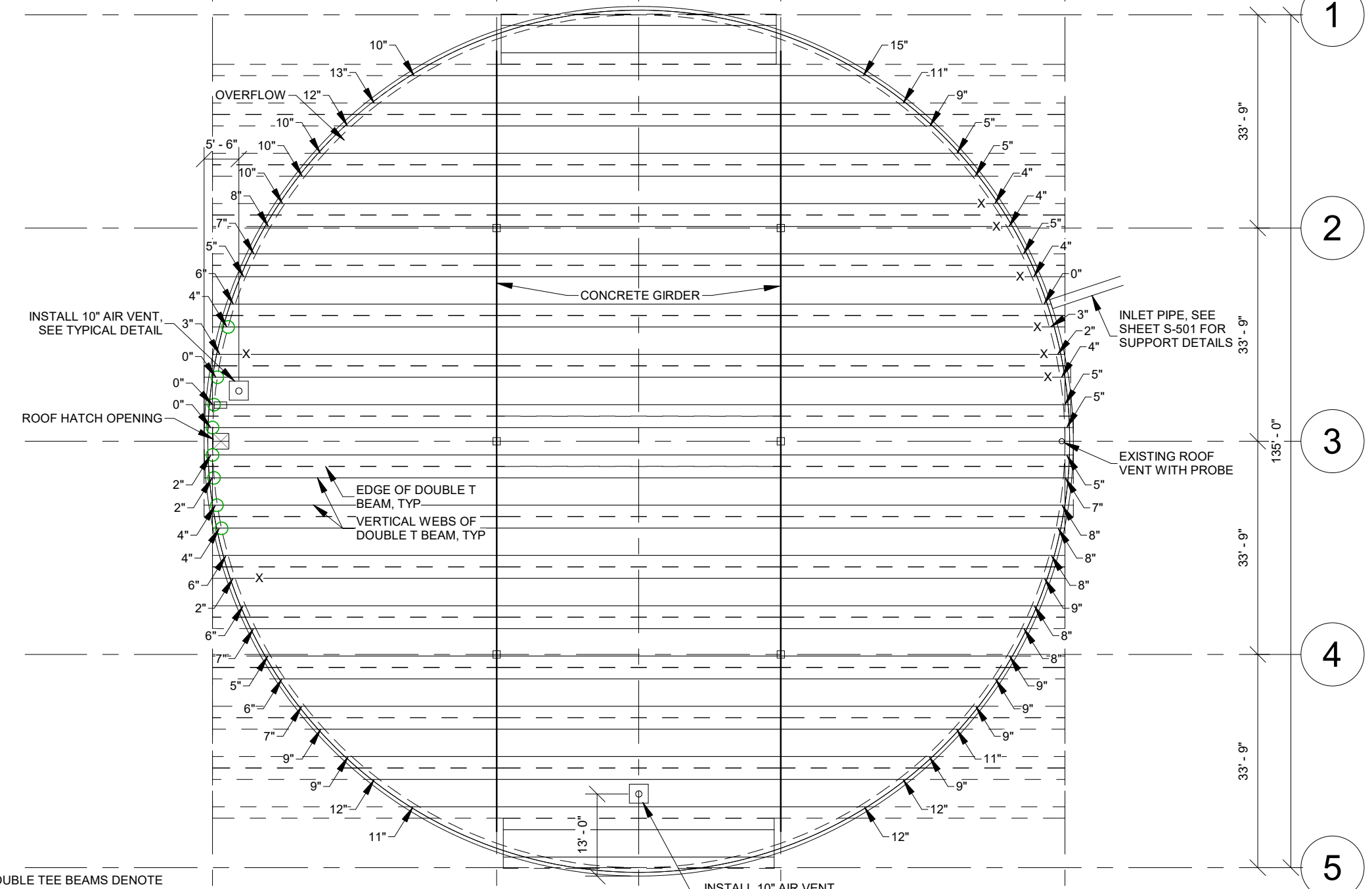


1 2 3 4 5 6 7 8

E D C B A
135' - 0"

45' - 0" 22' - 6" 22' - 6" 45' - 0"



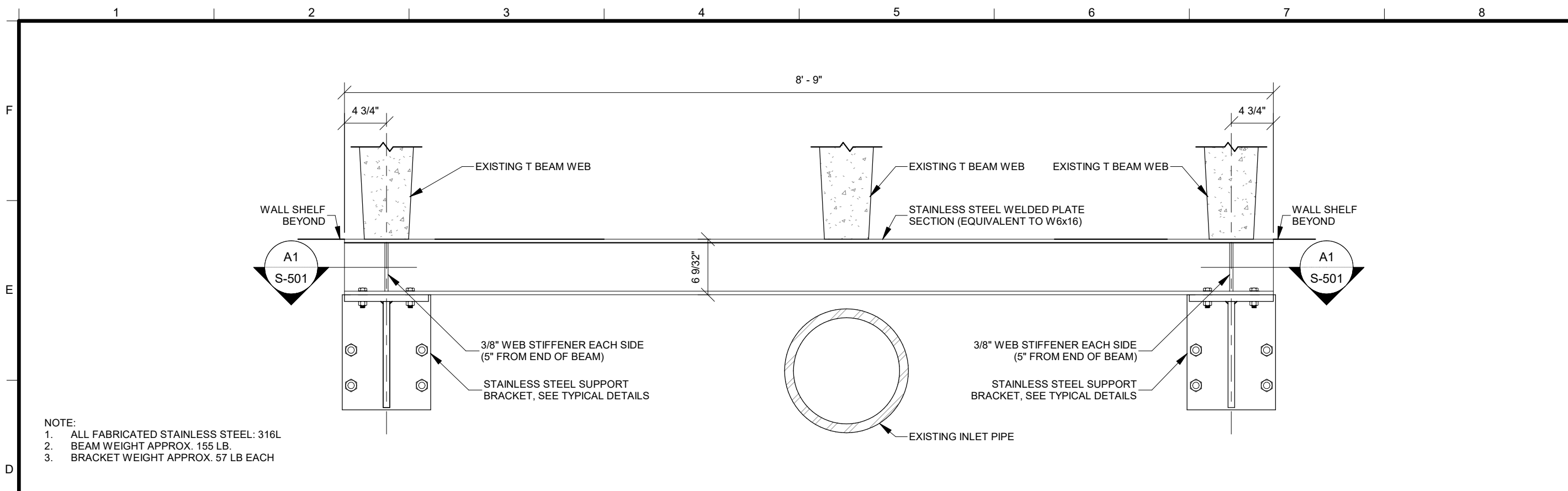
- NOTES:**
1. DIMENSIONS ASSOCIATED WITH DOUBLE TEE BEAMS DENOTE EXISTING BEARING LENGTH ON WALL.
 2. INSTALL STEEL SUPPORT BRACKETS UNDER ALL BEAMS THAT ARE INDICATED AS HAVING 4" OF BEARING OR LESS (X) (8 TOTAL). INSTALL BRACKET SNUG AND IN FULL CONTACT WITH EXISTING CONCRETE BEAM.
 3. (O) INDICATES EXISTING SUPPORT BRACKET TO REMAIN IN PLACE.
 4. LOCATIONS OF ELEMENTS ARE APPROXIMATE. VERIFY IN FIELD.
 5. CLEAN AND DISINFECT TANK AFTER WORK IS COMPLETE.

REVISIONS		DWG NAME: 1905-433 Spring Creek Tank C:\Users\matl\Documents\1905-433 Spring Creek Tank	
NO.	DATE	REMARKS	UPDATED: 2/1/2021 9:20:20 PM
		SCALE: 1" = 20'-0"	
APPROVAL		DATE	
RECOMM.		APPROVED	
PROJECT DESIGN ENGINEER		QUALITY MANAGEMENT REVIEW	
Jones & DeMille Engineering, Inc. CIVIL ENGINEERING - SURVEYING - TESTING GIS - ENVIRONMENTAL 1.800.748.5275 www.jonesandmille.com			
SPRINGVILLE CITY		PROJECT NUMBER: 1905-433	
UPPER SPRING CREEK TANK REHAB PART 2		UTAH COUNTY	
ROOF REPAIR PLAN		SHEET NO. S-101	

A1 FRAMING PLAN

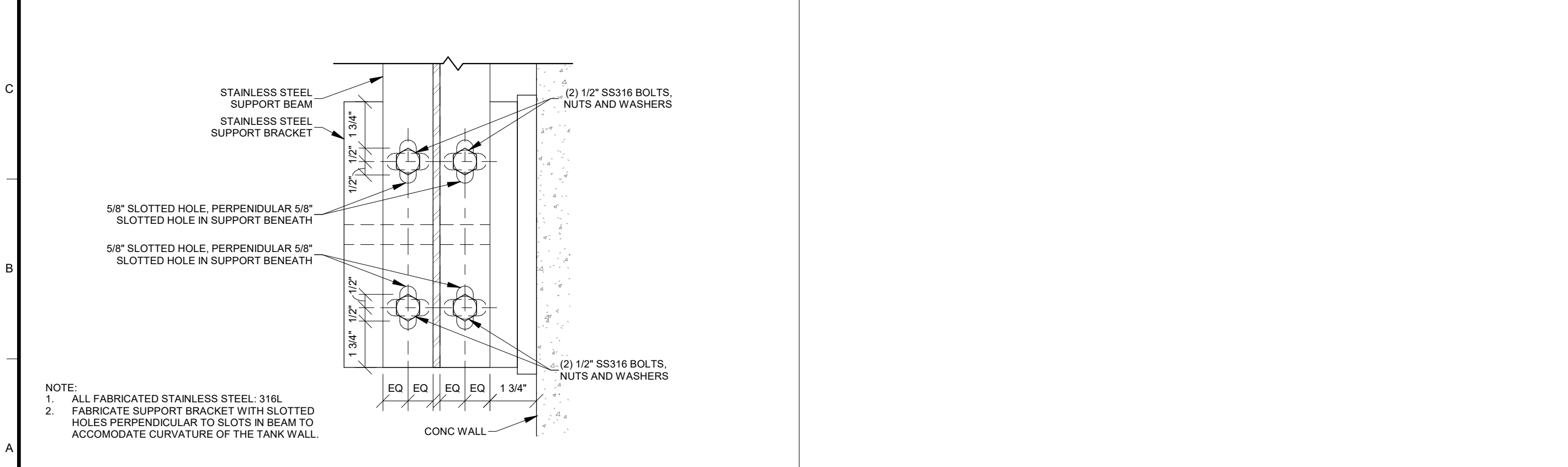
SCALE 1" = 20'-0"

1 2 3 4 5 6 7 8



NOTE:
 1. ALL FABRICATED STAINLESS STEEL: 316L
 2. BEAM WEIGHT APPROX. 155 LB.
 3. BRACKET WEIGHT APPROX. 57 LB EACH

D1	SUPPORT OVER INLET DETAIL
SCALE	NTS



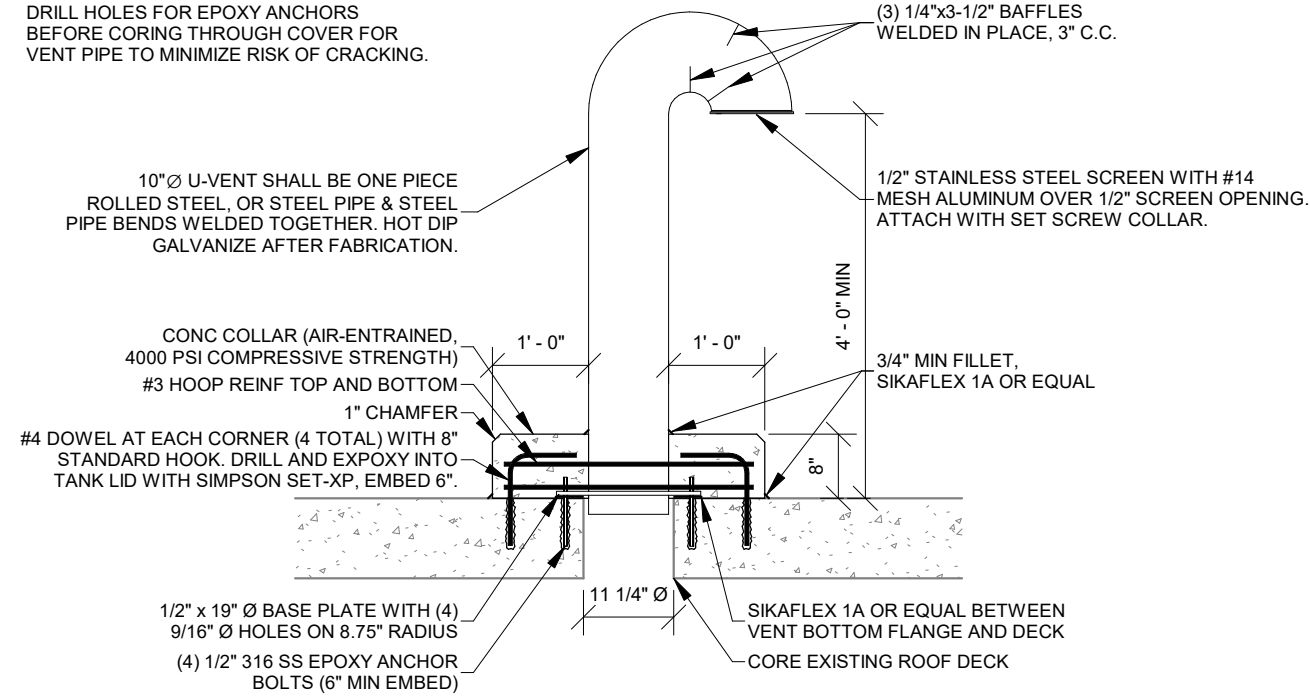
NOTE:
 1. ALL FABRICATED STAINLESS STEEL: 316L
 2. FABRICATE SUPPORT BRACKET WITH SLOTTED HOLES PERPENDICULAR TO SLOTS IN BEAM TO ACCOMODATE CURVATURE OF THE TANK WALL.

A1	STRUCTURAL DETAIL
SCALE	NTS

NO.	DATE	REVISIONS	DWG NAME:	PROJECT:	DATE:
			NTS	UPPER SPRING CREEK TANK REHAB PART 2	2/1/2021
REVISIONS			SCALE:	PROJECT DESIGN ENGINEER	DATE:
			SCALE:	QUALITY MANAGEMENT REVIEW	DATE:
			APPROVAL	APPROVED	
			RECOMM.		
			Jones & DeMille Engineering, Inc. CIVIL ENGINEERING - SURVEYING - TESTING GIS - ENVIRONMENTAL 1.800.748.5275 www.jonesandmille.com		
			SPRINGVILLE CITY UPPER SPRING CREEK TANK REHAB PART 2 STRUCTURAL DETAILS PROJECT NUMBER: 1905-433		
			COUNTY: UTAH SHEET NO. S-501		
			UPDATED: 2/1/2021 9:26:20 PM C:\Users\matt\Documents\1905-433 Spring Creek Tank		

NOTES:

1. EXISTING REINFORCING NOT SHOWN
2. FILLET WELDS: 3/16" UNO
3. DRILL HOLES FOR EPOXY ANCHORS BEFORE CORING THROUGH COVER FOR VENT PIPE TO MINIMIZE RISK OF CRACKING.

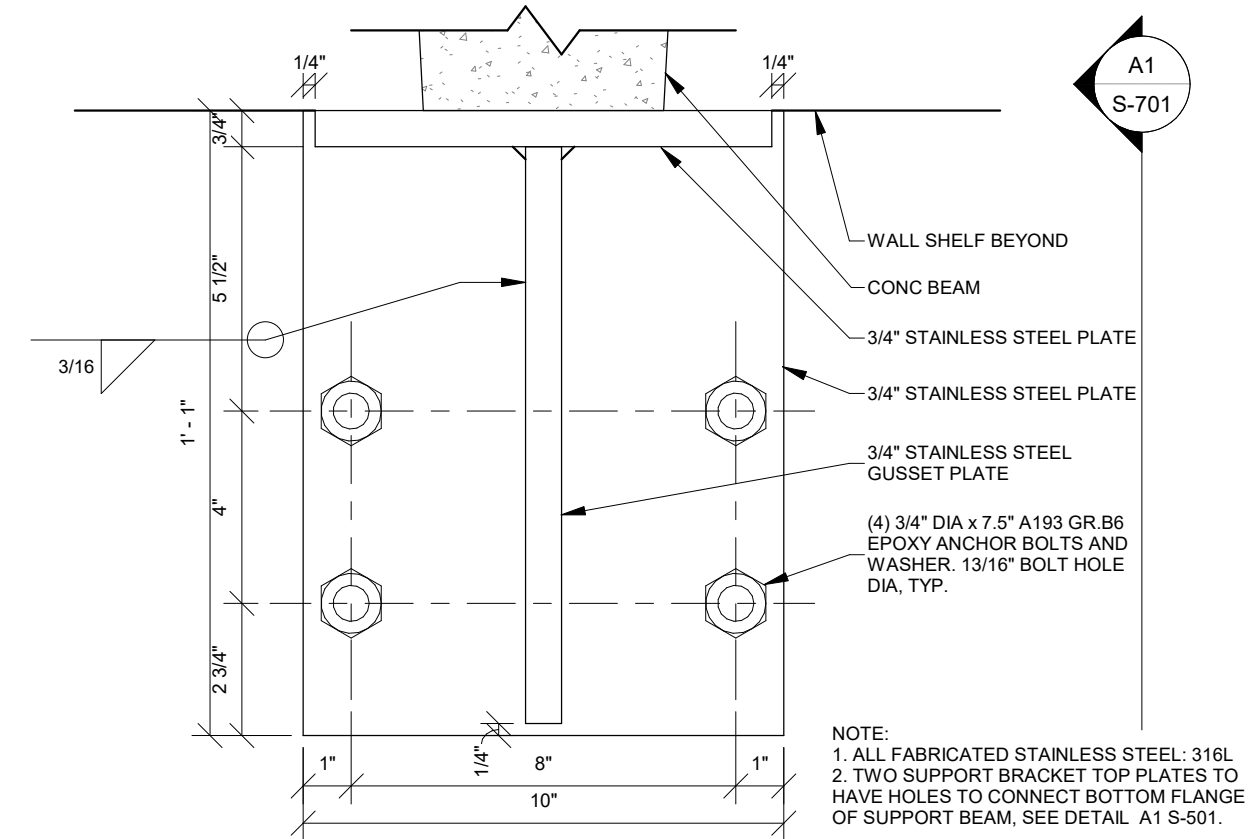
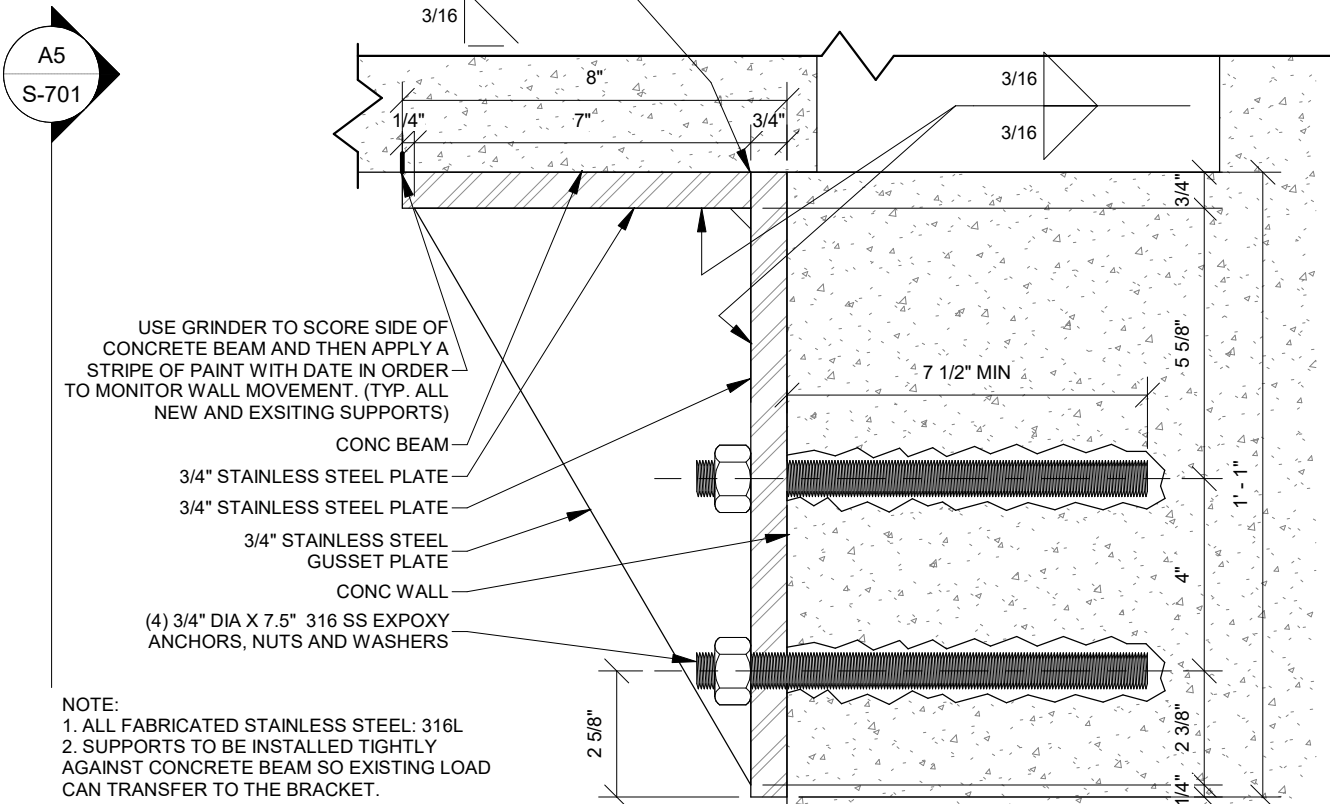


EPOXY ANCHOR BOLTS

1. ALL EPOXY SHALL BE SIMPSON SET-XP HIGH STRENGTH EPOXY.
2. ALL BOLTS TO BE EPOXIED SHALL BE CURED ACCORDING TO MANUFACTURER RECOMMENDATIONS FOR LOAD BEARING BEFORE LOAD IS APPLIED.

D1 ROOF VENT DETAIL

SCALE NTS



A1 SUPPORT BRACKET TYPICAL DETAIL

SCALE NTS

A5 SUPPORT BRACKET TYPICAL DETAIL

SCALE NTS

NO.	DATE	REVISIONS	REMARKS
SCALE: NTS			DWG NAME: NTS
PROJECT DESIGN ENGINEER		DATE:	DATE:
APPROVAL RECOMM:		DATE:	DATE:
APPROVED		DATE:	DATE:
<p>UTAH COUNTY</p> <p>SPRINGVILLE CITY</p> <p>UPPER SPRING CREEK TANK REHAB PART 2</p> <p>TYPICAL STRUCTURAL DETAILS</p> <p>PROJECT NUMBER: 1905-433</p>			
SHEET NO. S-701			

Jones & DeMille Engineering, Inc.
 CIVIL ENGINEERING - SURVEYING - TESTING
 GIS - ENVIRONMENTAL
 1.800.748.5275 www.jonesandmille.com

UPDATED: 2/1/2021
9:26:20 PM

C:\Users\matt\Documents\1905-433 Spring Creek Tank