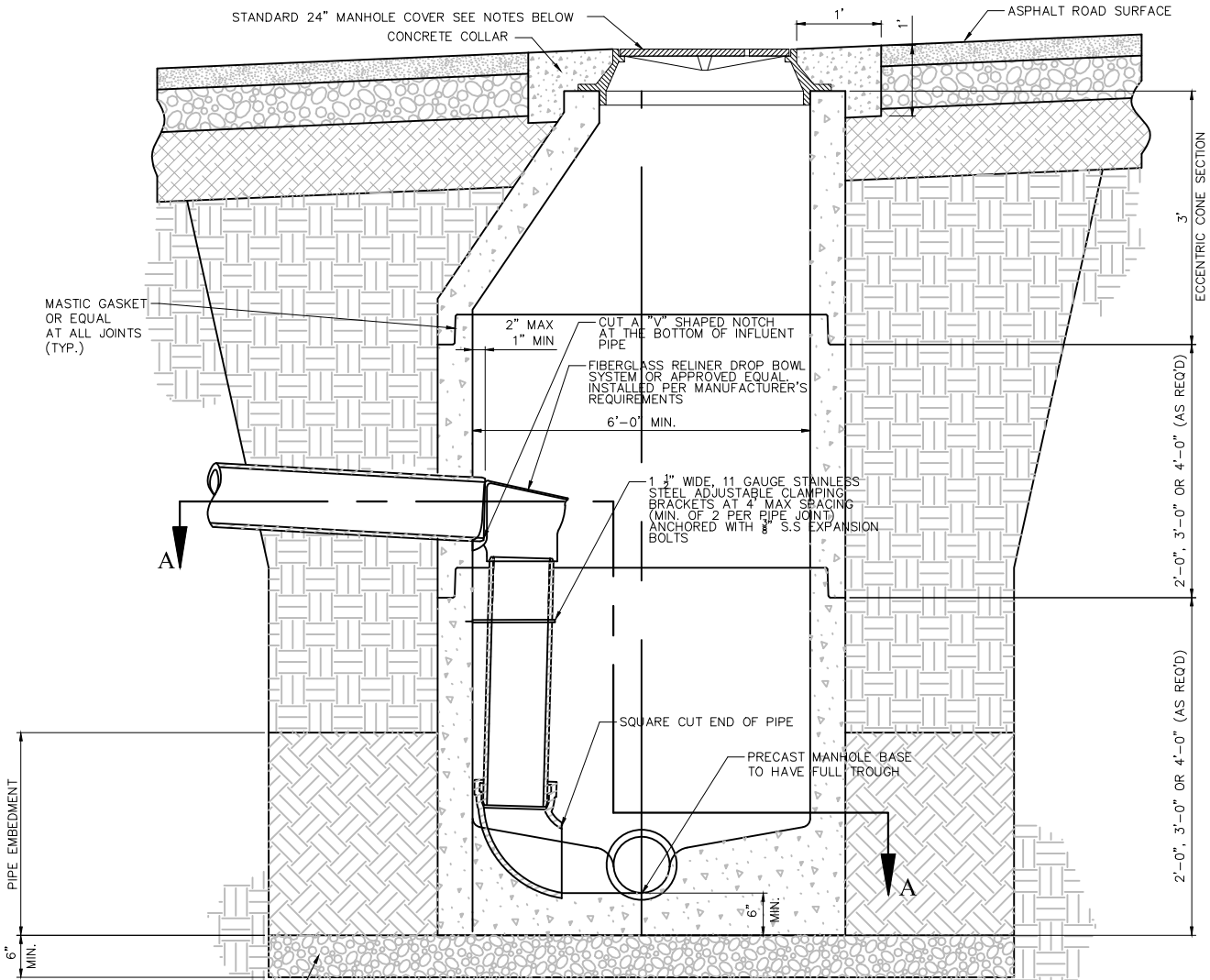


DETAILS ON THIS SHEET TO BE USED ONLY BY PERMISSION OF CITY ENGINEER



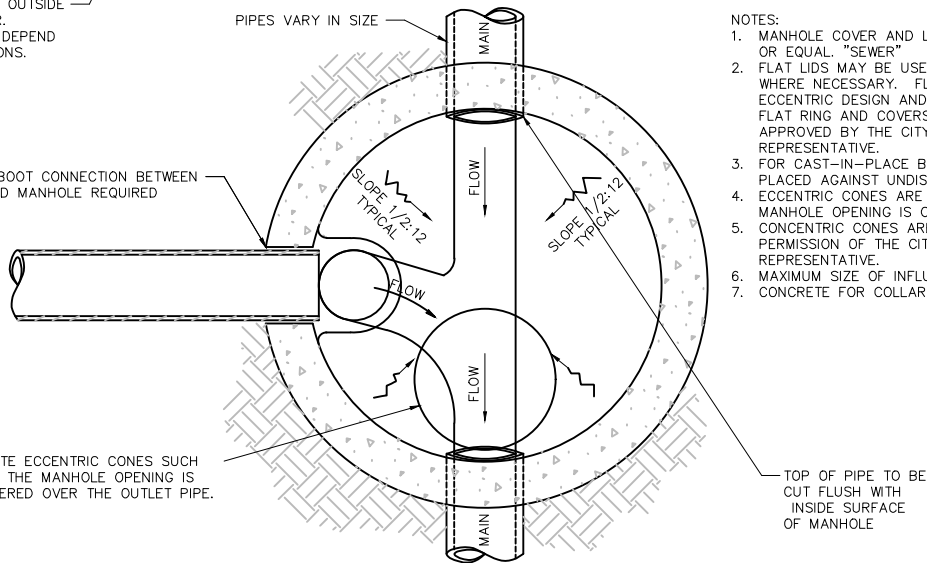
ELEVATION SECTION

3/4" GRAVEL FOUNDATION OUTSIDE SHAPE MAY BE IRREGULAR. MAXIMUM THICKNESS WILL DEPEND ON SPECIFIC SITE CONDITIONS.

PIPES VARY IN SIZE

RUBBER BOOT CONNECTION BETWEEN PIPES AND MANHOLE REQUIRED

ROTATE ECCENTRIC CONES SUCH THAT THE MANHOLE OPENING IS CENTERED OVER THE OUTLET PIPE.



SECTION A-A

NOTES:

1. MANHOLE COVER AND LID TO BE D&L P/N A-1180-13 OR EQUAL. "SEWER"
2. FLAT LIDS MAY BE USED IN LIEU OF ECCENTRIC CONES WHERE NECESSARY. FLAT LIDS SHALL BE OF ECCENTRIC DESIGN AND MEET H20 LIVE LOADING. NO FLAT RING AND COVERS WILL BE ALLOWED UNLESS APPROVED BY THE CITY ENGINEER OR HIS REPRESENTATIVE.
3. FOR CAST-IN-PLACE BASES, CONCRETE SHALL BE PLACED AGAINST UNDISTURBED EARTH.
4. ECCENTRIC CONES ARE TO BE ROTATED SUCH THAT MANHOLE OPENING IS CENTERED OVER OUTLET PIPE.
5. CONCENTRIC CONES ARE TO BE USED ONLY WITH THE PERMISSION OF THE CITY ENGINEER OR HIS REPRESENTATIVE.
6. MAXIMUM SIZE OF INFLUENT PIPE IS 12".
7. CONCRETE FOR COLLARS SHALL UTILIZE FIBER MESH