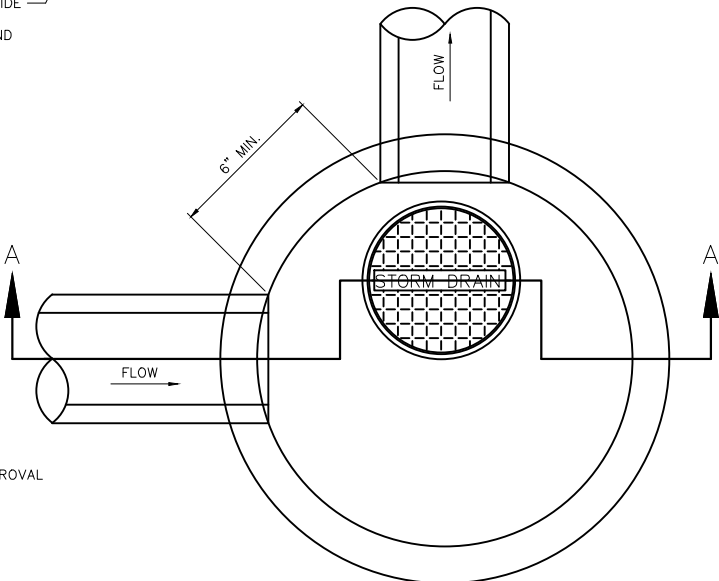


SECTION A-A

3/4" GRAVEL FOUNDATION OUTSIDE SHAPE MAY BE IRREGULAR. MAXIMUM THICKNESS WILL DEPEND ON SPECIFIC SITE CONDITIONS.

PIPE SIZE	MANHOLE SIZE
15"	60"
18"	60"
24"	60"
30"	72"
36"	84"
42"	84"
48"	90"
54"	96"
60"	96"

FOR LARGER PIPE SIZE, PRIOR APPROVAL FROM CITY ENGINEER IS REQUIRED.



- NOTES:
1. MANHOLE COVER TO BE A SOLID LID CONTAINING ONE PICK HOLE. SEE SPECIFICATION DIVISION 5 FOR COVER LABEL, D&L SUPPLY P/N A-1181 (OR EQUAL). "STORM DRAIN"
  2. FLAT LIDS SHALL BE OF ECCENTRIC DESIGN AND MEET H20 LIVE LOADING. NO FLAT RING AND COVERS WILL BE ALLOWED UNLESS APPROVED BY THE CITY ENGINEER OR HIS REPRESENTATIVE.
  3. AN ECCENTRIC CONE SECTION MAY BE USED AS THE TOP MANHOLE SECTION IF THE STORM DRAIN IS DEEP ENOUGH TO BE UNDER IT.
  4. MULTIPLE INLETS CAN BE INSTALLED IN SERIES OR IN PARALLEL BEFORE DISCHARGING INTO THE MANHOLE. HOWEVER, THE TOTAL DESIGN FLOW ENTERING A SINGLE MANHOLE BELOW THE OUTLET ELEVATION IS NOT TO EXCEED 6 CFS. USE OF A 5' DIAMETER MANHOLE WOULD INCREASE THE ALLOWABLE FLOWRATE TO 9 CFS.
  5. OPENING IS CENTERED OVER OUTLET PIPE.
  6. FOR CAST-IN-PLACE BASES, CONCRETE SHALL BE PLACED AGAINST UNDISTURBED EARTH.
  7. CONCRETE FOR COLLARS SHALL UTILIZE FIBER MESH.
  8. SUMP DEPTH MY BE LARGER DEPENDING ON MANUFACTURE RECOMMENDATION.