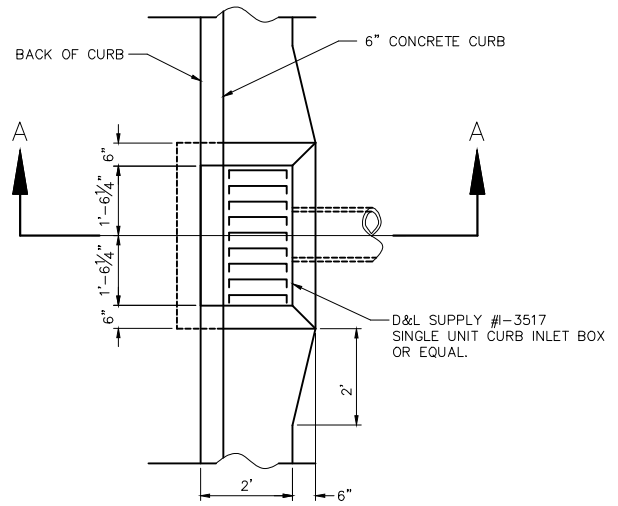
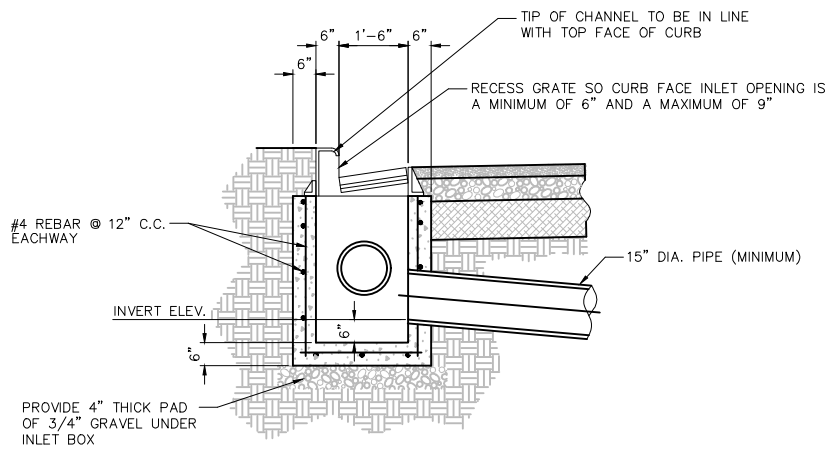


MULTIPLE INLET PLAN VIEW



SINGLE INLET PLAN VIEW



SECTION A-A