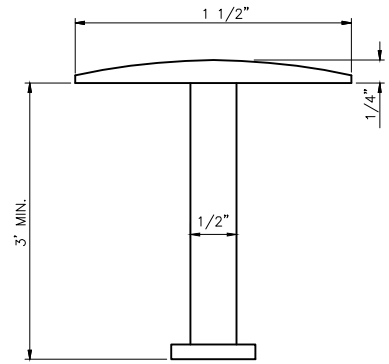
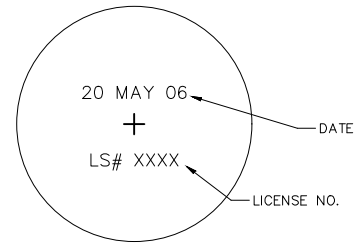


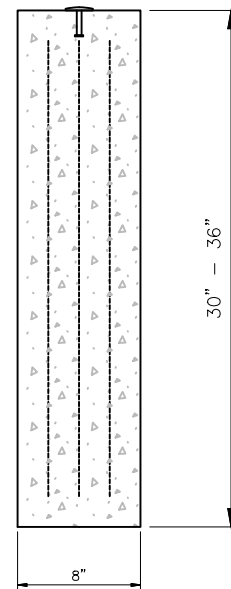
- NOTES:
1. THE INSTALLED MONUMENT MUST BE INDEPENDENT OF THE ROADWAY PAVEMENT. VIBRATIONS OF THE PAVEMENT SURFACE MUST BE TRANSMITTED TO THE UNDERLYING SOILS AND NOT TO THE MONUMENT. THIS WILL ASSURE THE MONUMENT REMAINS UNDISTURBED.
  2. MONUMENTS TO BE INSTALLED AT THE LOCATION SHOWN ON THE APPROVED SUBDIVISION PLAT.



CAP SECTION



CAP PLAN



SECTION OF BASE

(TYPICAL SETTING)