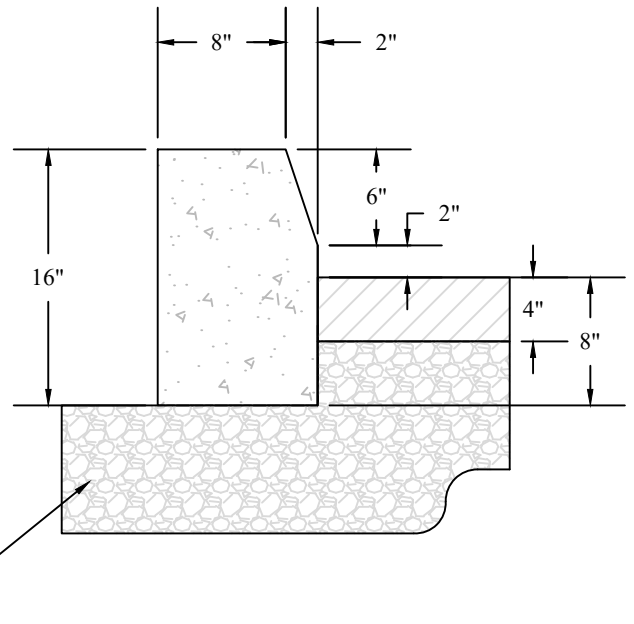
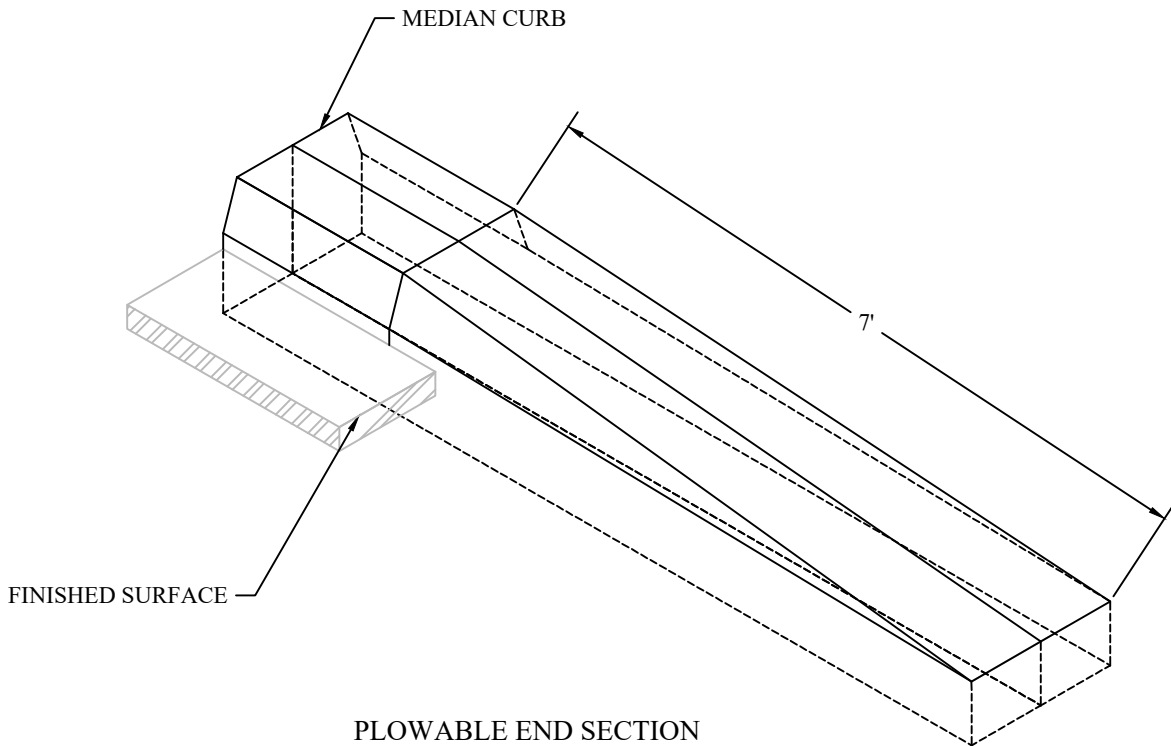


APWA TYPE "P" CURB WALL



APWA TYPE "Q" MEDIAN CURB



CURB WALL & MEDIAN CURB  
PLOWABLE END SECTION