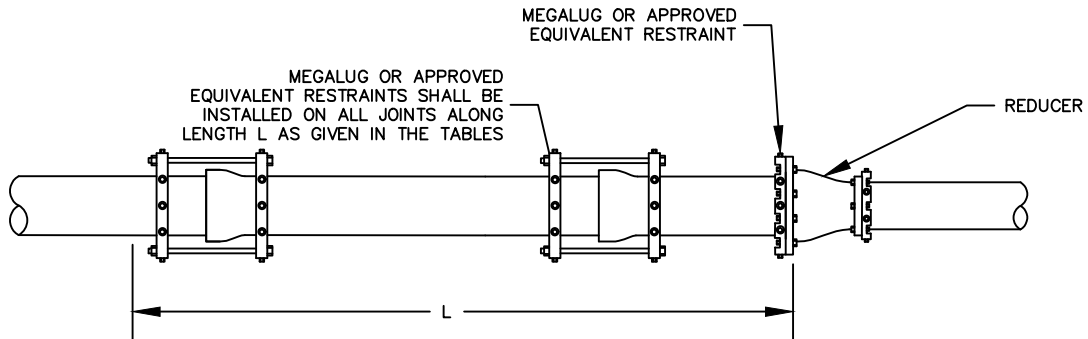


PVC PIPE

MECHANICAL RESTRAINT SPECIFICATION "L" IN FEET FOR DEAD ENDS ON SPECIFIED DIAMETERS					
TYPE OF PIPE	12"	10"	8"	6"	4"
PRESSURIZED IRRIGATION	231	197	166	127	91
CULINARY WATER	123	104	87	66	47

DUCTILE IRON PIPE

MECHANICAL RESTRAINT SPECIFICATION "L" IN FEET FOR DEAD ENDS ON SPECIFIED DIAMETERS					
TYPE OF PIPE	12"	10"	8"	6"	4"
PRESSURIZED IRRIGATION	143	123	103	80	57
CULINARY WATER	79	67	56	42	30



PVC PIPE

MECHANICAL RESTRAINT SPECIFICATION "L" IN FEET FOR REDUCERS ON SPECIFIED DIAMETERS										
TYPE OF PIPE	12"-4"	12"-6"	12"-8"	12"-10"	10"-4"	10"-6"	10"-8"	8"-4"	8"-6"	6"-4"
PRESSURIZED IRRIGATION	200	168	122	113	160	121	66	119	43	66
CULINARY WATER	107	89	65	60	85	64	35	62	36	34

DUCTILE IRON PIPE

MECHANICAL RESTRAINT SPECIFICATION "L" IN FEET FOR REDUCERS ON SPECIFIED DIAMETERS										
TYPE OF PIPE	12"-4"	12"-6"	12"-8"	12"-10"	10"-4"	10"-6"	10"-8"	8"-4"	8"-6"	6"-4"
PRESSURIZED IRRIGATION	124	104	76	70	100	75	41	74	43	41
CULINARY WATER	68	57	42	39	54	41	22	40	23	22

NOTES:

1. ALL RESTRAINING DEVICES SHALL BE INSTALLED ACCORDING TO THESE REQUIREMENTS OR MANUFACTURER SPECIFICATIONS, WHICHEVER IS MOST CONSERVATIVE.
2. MECHANICAL RESTRAINTS FOR PIPE LARGER THAN 12" IN DIAMETER MUST BE DESIGNED BY A LICENSED PROFESSIONAL ENGINEER AND APPROVED BY CITY ENGINEER.
3. MECHANICAL RESTRAINTS MAY ONLY BE USED ON PVC OR DUCTILE IRON PIPE.
4. A FIRE HYDRANT IS CONSIDERED AN END CAP/DEAD END.
5. EXTERNAL BELL RESTRAINTS REQUIRED AT FIRST JOINT FROM FITTING REGARDLESS OF LENGTH/DISTANCE FROM FITTING