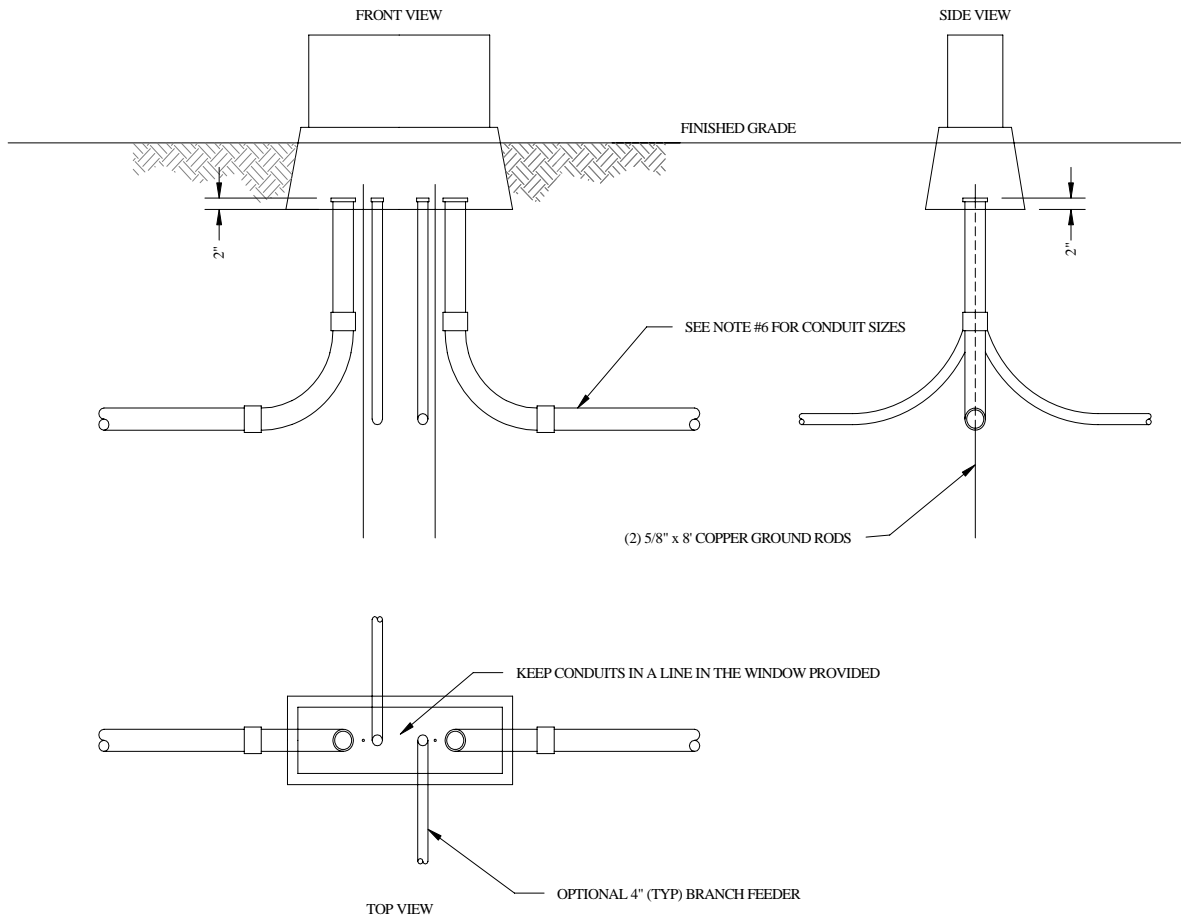


# SECTIONALIZERS AND SWITCHES

## CONDUIT PLACEMENT FOR SECTIONALIZERS



**Notes:**

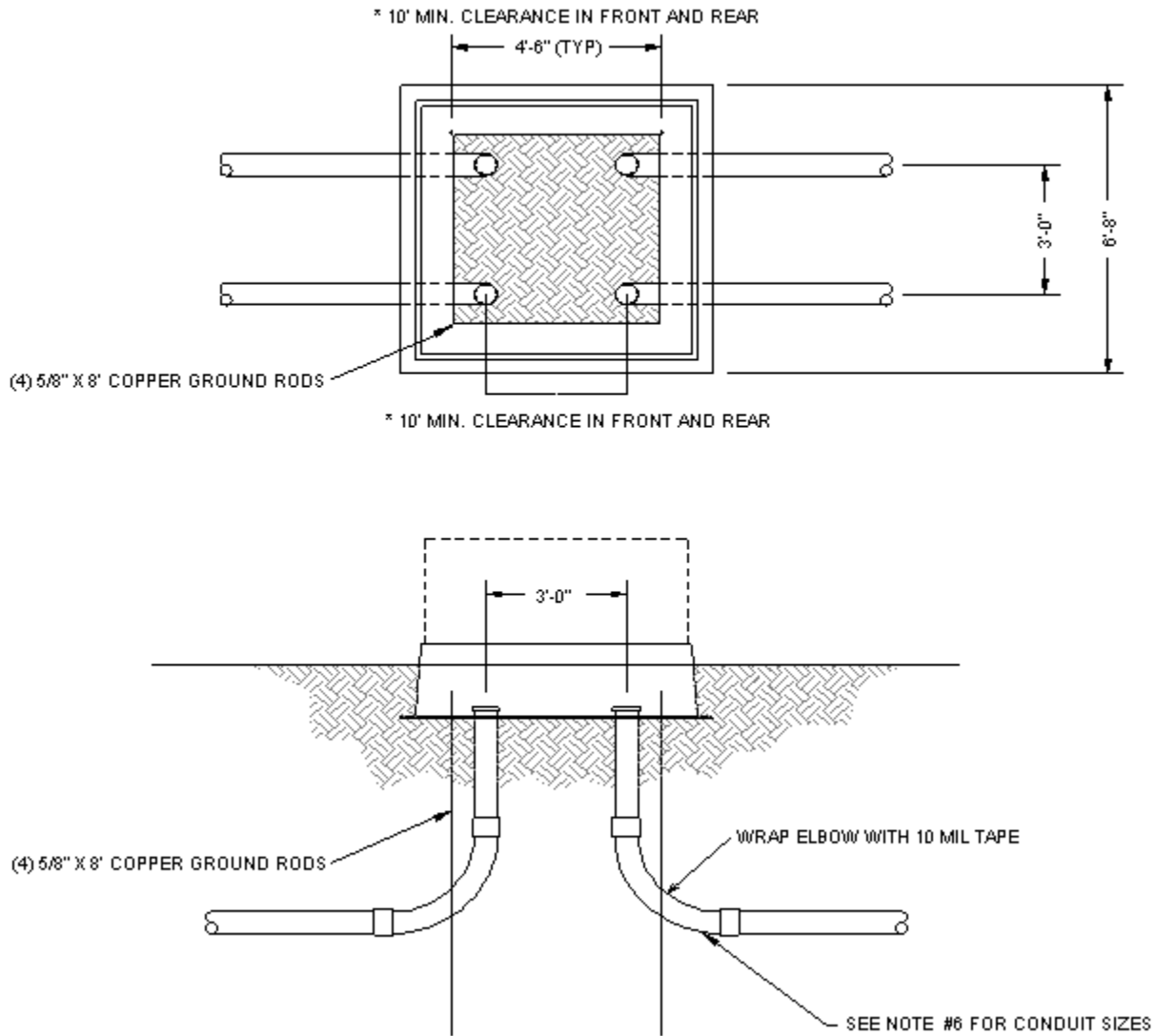
1. All 90 degree elbows shall be rigid steel and PVC wrapped.
2. Bases will be provided by Springville City and installed by the Developer.
3. The developer shall provide and install all ground rods (5/8" x 8' copper clad steel) and subsequent materials to complete the installation.
4. Conduit sizes and locations will be provided by Springville city on the subdivision electrical plans.
5. Support all conduits during backfilling keeping them as vertical as possible.



### SPRINGVILLE CITY ELECTRICAL REQUIREMENTS & STANDARDS MANUAL SECTIONALIZERS AND SWITCHES

ELECTRIC 7.1
SECTIONALIZERS AND SWITCHES
SCALE: NONE
DATE: 8.28.07
REV:
REV DATE:

## SECTIONALIZERS AND SWITCHES CONDUIT PLACEMENT FOR SWITCHES



**Notes:**

1. All 90 degree elbows shall be rigid steel and PVC wrapped.
2. Bases will be provided by Springville City and installed by the developer.
3. The developer shall provide and install all ground rods (5/8" x 8' copper clad steel) and subsequent materials to complete the installation.
4. Conduit sizes and locations will be provided by Springville City on the subdivision electrical plans.
5. Support all conduits during backfilling keeping them as vertical as possible.